



Energy Saver Manual Instruction



Content

1. Device Overview	3
2. Electricity parameter.....	3
3. Features	3
3.1. Mifare RFID temporized energy saver.....	3
3.2. Only operates with hotel specific Mifare RFID keycards.....	3
3.3. Only operates with hotel specific room number Mifare RFID keycards	4
4. Programming the energy saver.....	4
4.1. Mifare RFID temporized energy saver.....	4
4.2. Only operates with hotel specific Mifare RFID keycards.....	4
4.3. Only operates with hotel specific room number Mifare RFID keycards	4
4.3.1. Here are the details of the programming:.....	4
5. Wiring connection.....	4
6. Trouble and Shooting	5
6.1. Blue LED is not on	5
6.2. No respond when you insert cards	5
6.3. Inert the key card, blue LED light is off, but can not get power.....	5
6.4. Forget the operator password.....	Error! Bookmark not defined.
6.4.1. Solution 1	Error! Bookmark not defined.
6.4.2. Solution 2.....	Error! Bookmark not defined.

1. Device Overview



2. Electricity parameter

Voltage: 110V~220V VAC. Tolerance 10%

Consumption 30m/Amp in stand-by and 40m/Amp when on

Frequency: 50-60 Hz

Max output current: 16A

3. Features

Three types of energy saver is provided by Be-Tech Company,

3.1. Mifare RFID temporized energy saver

If the card is Mifare S50 or Mifare S70, the energy saver will work.

3.2. Only operates with hotel specific Mifare RFID keycards

The card must be programmed with the door lock software (guest card, staff card, emergency card)

3.3. Only operates with hotel specified room number Mifare RFID keycards

Emergency card and staff card get the device worked without any limitation, while guest card is required to a specified room number.

4. Programming the energy saver (Hotel specified room number)

4.1. Mifare RFID temporized energy saver

Programming is not necessary.

4.2. Only operates with hotel specific Mifare RFID keycards

Program a System ID from the existing door lock software,

4.3. Only operates with hotel specific room number Mifare RFID keycards

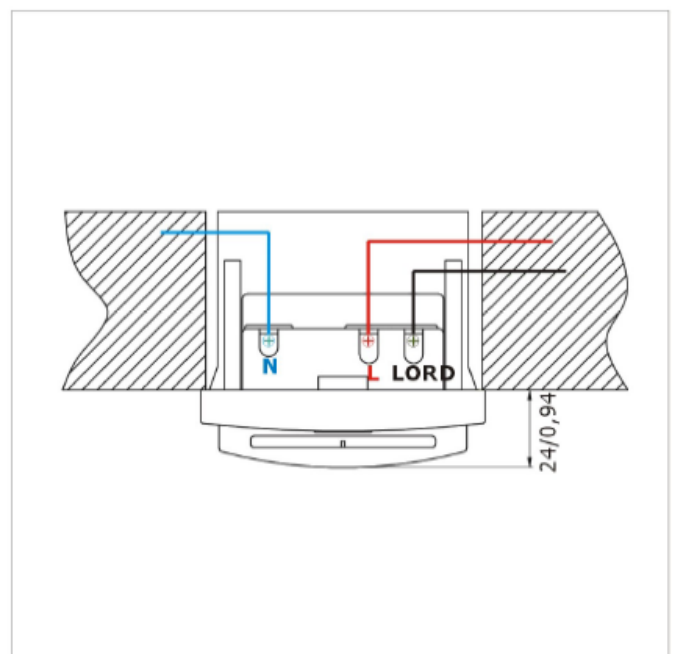
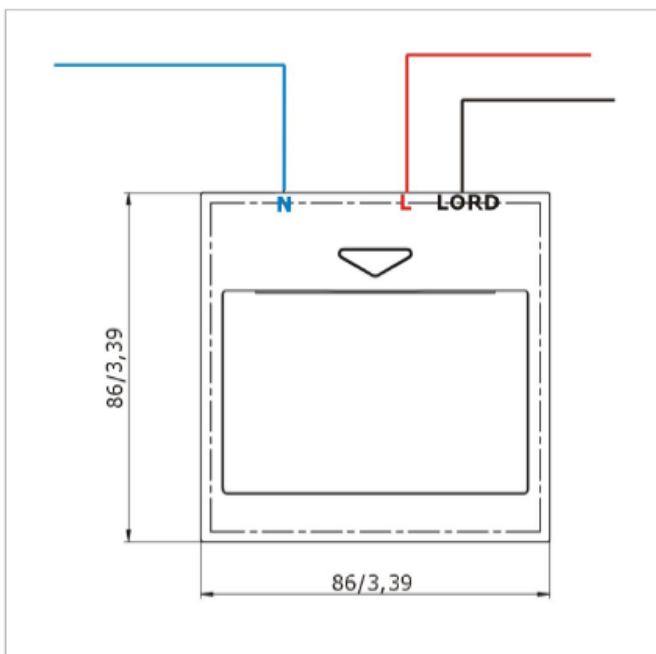
Program a System ID from the existing door lock software,

Program Lock setting card for every room

4.3.1. Here are the details of the programming:

- Insert the System ID card, blue LED light is flashing while the blue LED light is flashing, insert the lock setting card, blue light will flash once to indicate the programming is successful.

5. Wiring connection



6. Trouble and Shooting

6.1. Blue LED is not on

When connected power, the blue LED light of the energy saver will be on. If the light is off, please check if the wire connections are ok, or replace another new one.

6.2. No respond when you insert cards

The blue LED light will be on when connected power, if the blue LED light will be off when connected power, replace the card reader socket, re-try again, if it does not work, you need to replace the energy saver. The blue LED light keeps flashing when insert guest card, can not get power, you need to program the energy saver

6.3. Inert the key card, blue LED light is off, but can not get power.

You need to replace the energy saver for a new one.