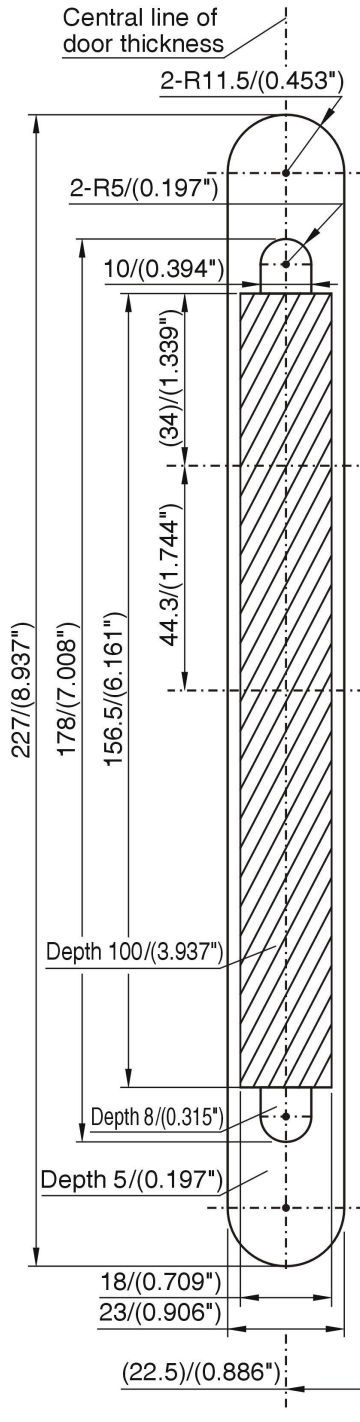
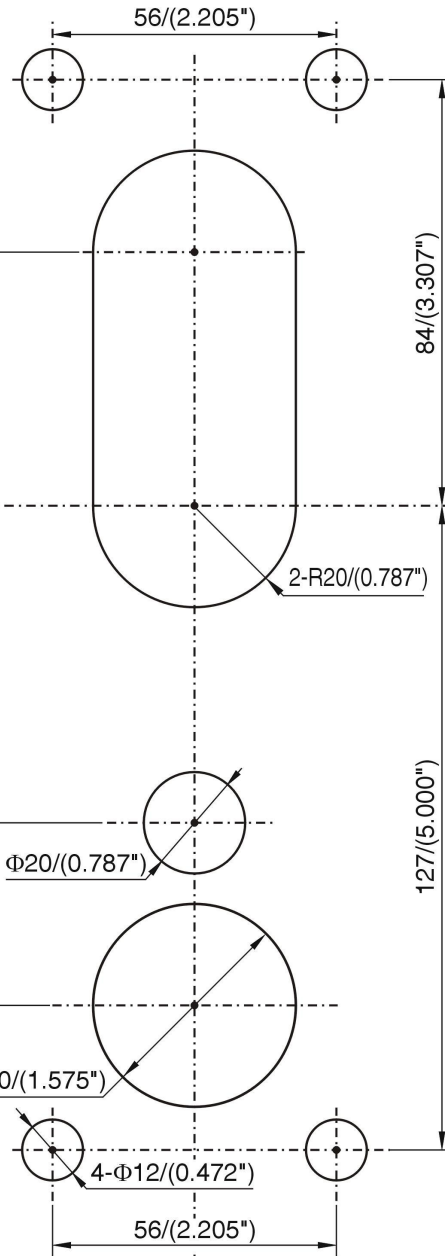


335mm

Latch bolt drilling diagram



Cut off by this line



65/(2.559")
Backset

65/(2.559")
Backset

Drilling diagram

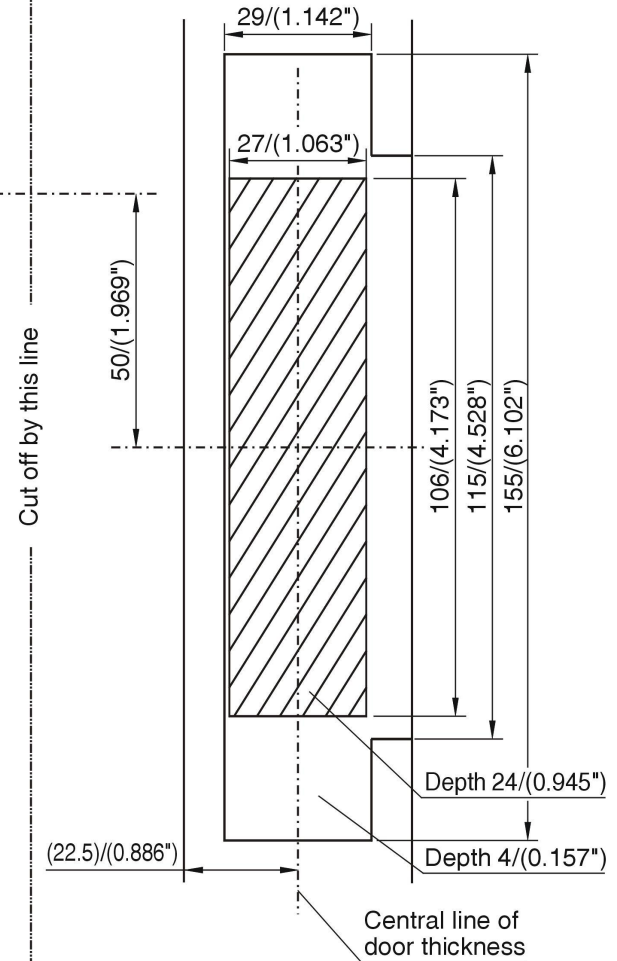
【65XX(E,M)-65】

【76XX(M)-65】

Attention: If your door thickness is not standard (45mm), please cut off the drilling diagram by imaginary line/dotted line, then aim at the central line of your specific door thickness and make hole for installation.
The unmarked size tolerance of door drilling according to GB/T 12471-1990-level 2.

Scale: 1:1
Unit: (mm)/inch

Strike box drilling hole diagram



Suitable door thickness: 40mm~50mm/1.575"~1.97"

300mm

B