

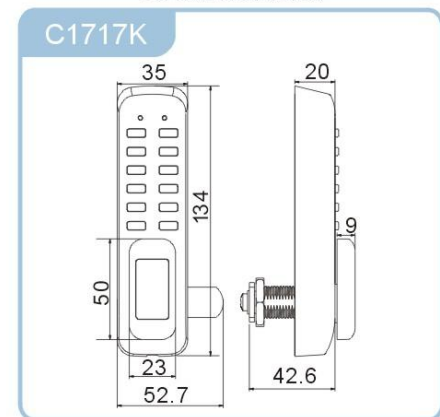


Be-Tech Cyber Digit RETRO (C1717K) is a quick retrofit for keyed cam locks supplied as standard on a wide range of lockers cabinets and cupboards. The keyless locks are easy to fit, taking just a few minutes to remove the existing cam lock and then making an additional top fixing for the new lock.

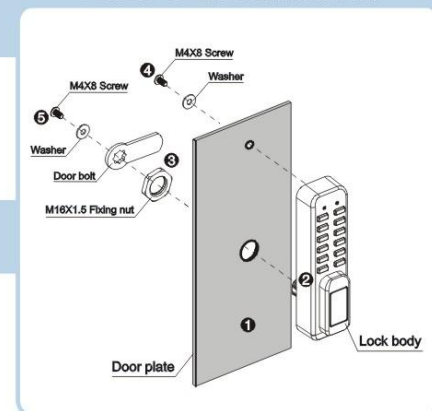
## Technical Specification

Power:	2 x 1.5 AAA Batteries
Operations:	10,000 Openings
Low battery:	When lock signals "Low Battery" there will be 100 additional openings
Memory:	Non-Volatile memory will be retained when changing batteries
Battery Override:	A battery case can be plug in external socket
Material:	ABS Plastic
Door thickness:	0.6mm (0.024 ") up to 15mm (0.59")
Buttons:	12 individual square buttons
Functions:	Private or Public
Fitting options:	New or retrofit, easy fit
Finish:	Golden
Accessories available:	Sync Kits, Override battery case
Codes:	Cyber Digits RETRO has 4 code levels Master code, Sub-Master code User code and Technician code
Unlocking feature:	Manual

### Dimensions:



### Parts & Installation:



### Codes

The locks is supplied with factory preset  
Master code:123456  
Change codes after lock has been installed  
All codes are 4~9 digits long

### Sync kits

Sync Kits is a programming synchronization kits to copy the programming from one lock to the others kits can help employee finish the programming for mass locks in the workplace.  
Sync Kits has to order separately.

### Functions:

#### Private Function

This is the most common function and used where the same code will be repeatedly used, e.g a pupil in a school or an employee with the same locker in the workplace.

#### Public Function

The locker locks operates with a single user code. The guest enters a personal code with 4~9 digit to locks the lock. The same code is entered to open the lock before being erased and ready for next user. This function is used for short term, multi occupancy applications, e.g a locker in a gym center.